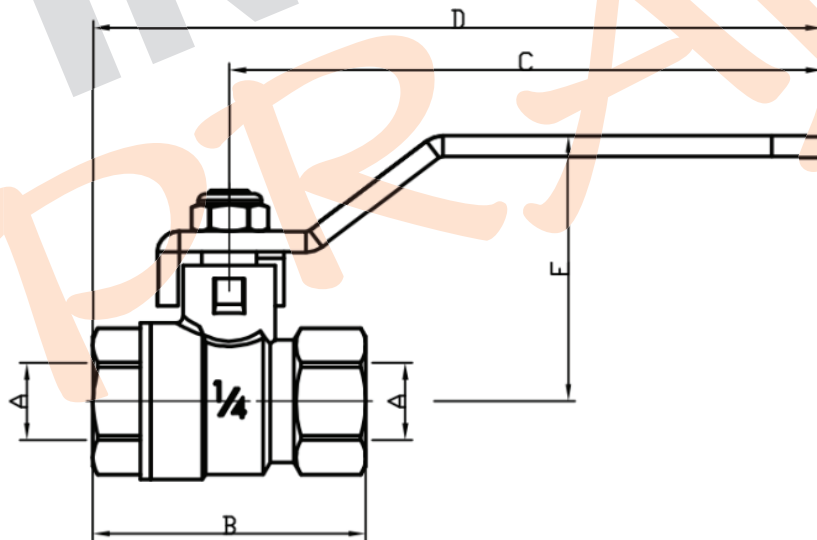




Description

- Working Pressure : 25bar (362.5 psi)
- Working Temperature : from -10 °C to +120 °C (from 14°F to 248°F)
- Thread ISO228 (equivalent to DIN 259 and BS2779)
- Opening/closing Test 10,000 times

Dimension



Dimension (mm)	BVCP-1/4	BVCP-3/8	BVCP-1/2	BVCP-3/4	BVCP-1	BVCP-1-1/4	BVCP-1-1/2	BVCP-2	BVCP-2-1/2	BVCP-3	BVCP-4
A	G1/4"	G3/8"	G1/2"	G3/4"	G1"	G1-1/4"	G1-1/2"	G2"	G2-1/2"	G3"	G4"
B	40	41	52	62	71	80	89	101	132	152	178
C	87	87	95	95	126	140	140	165	224	224	283.5
D	108.5	108.5	122.5	127.5	162.8	181.5	186	217	292	302	372.5
E	39	39.6	53	56.4	59.3	74.8	79.8	87	117.5	125.5	138
PN	25	25	25	25	25	25	25	25	25	25	25