

Self-rotating

Tank Cleaning Nozzles



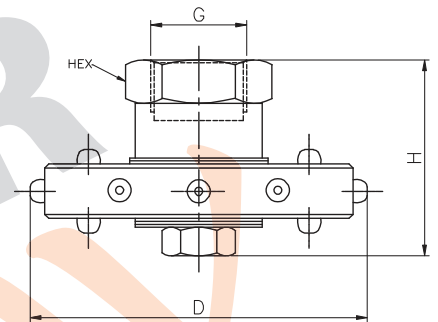
Feature

Self powered rotating tank cleaning nozzle used for cleaning large and medium size diameter tanks. Efficient cleaning action for medium and large size tanks. Recommended operating pressure 2 to 3 kg and also available coverage 180 up and down, 270° up and down and 360°

Application

- Tank Washing (Max Ø 5 to 9m)
- Medium and Large Tanks

Dimension



Spray Angle

Coverage Type					
Spray Angle	180°	180°	270°	270°	360°

Model	Spray Code	Angle Code	Thread Size	Spray Capacity (L/min) At Pressure (Bar)							H	D	HEX
				1.5	2	3	5	7					
TC-REE	3.140	A/B/C/D/E	1"	121.24	140	171.46	221.36	261.92	62.5	117	41		
	3.250	A/B/C/D/E	1"	216.51	250	306.19	395.28	467.71				Weight (Metals) = 771.0 gms. Approx	
	3.275	A/B/C/D/E	1"	238.16	275	336.80	434.81	514.48	97	131	71		
	3.325	A/B/C/D/E	2"	281.46	325	398.04	513.87	608.02				Weight (Metals) = 1930gms. Approx	
	3.375	A/B/C/D/E	2"	324.76	375	459.28	592.93	701.56	116.5	194	100		
	3.625	A/B/C/D/E	2"	541.27	625	765.47	988.21	1169.27				Weight (Metals) = 3630gms. Approx	
	3.800	A/B/C/D/E	3"	692.82	800	979.80	1264.91	1496.66	116.5	194	100		
	3.950	A/B/C/D/E	3"	822.72	950	1163.51	1502.08	1777.29				Weight (Metals) = 3630gms. Approx	
4.1100	A/B/C/D/E	3"	952.63	1100	1347.22	1739.25	2057.91						

How to order (Example)

TC-REE

Model

3.140

Spray Code

A

Angle Code

1"

Thread Size

S304

Material

Material Available :
Stainless Steel : S304, S316