

Self-rotating

Tank Cleaning Nozzles



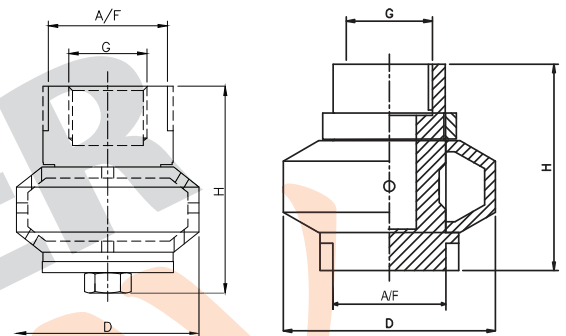
Feature

Specially designed self-rotating nozzle, rotates because of reaction principle of spraying water jets. For rinsing small and medium sized vessels for example dairy, chemical, pharmaceutical and food industries. Material of construction-corrosion resistance

Application

- Tank Washing (Max \varnothing 3 m)
- Rinsing vessels
- Corrosion resistance

Dimension



Spray Angle

Coverage Type			
Spray Angle	270°	270°	360°

Model	Spray Code	Angle Code	Thread Size	Spray Capacity (L/min) At Pressure (Bar)							
				1.5	2	3	5	7	H	D	A/F
TC-REC	2.320	C/D/E	1/2"	27.71	32.00	39.19	50.60	59.87	60	50	28.6
	2.400	C/D/E	1/2", 3/4"	34.64	40.00	48.99	63.25	74.83	68	58.5	32
	2.520	C/D/E	1/2", 3/4"	45.03	52.00	63.69	82.22	97.28	Weight (Metals) = 103.0 gms. Approx		
	2.950	C/D/E	3/4", 1"	82.27	95.00	116.35	150.21	177.73	Weight (Metals) = 103.0 gms. Approx		
	3.140	C/D/E	3/4", 1", 1 1/2", 2"	121.24	140.0	171.46	221.36	261.92	76.2	78.5	42
	3.150	C/D/E	1", 1 1/2", 2"	129.90	150.0	183.71	237.17	280.62	92	92	55
	3.190	C/D/E	1", 1 1/2", 2"	164.54	190.0	232.70	300.42	355.46	Weight (Metals) = 1015.0 gms. Approx		
	3.225	C/D/E	1", 1 1/2", 2"	194.86	225.0	275.57	355.76	420.94	Weight (Metals) = 1015.0 gms. Approx		
	3.225	C/D/E	1 1/2", 2"	216.51	250.0	306.19	395.28	467.71	111	124	66

How to order (Example)

TC-REC

Model

2.520

Spray Code

C/D

Angle Code

1/2"

Thread Size

S304

Material

Material Available :
Stainless Steel : S304, S316
Plastic : Nylon (Polymide),
Teflon (PTFE)