

Self-rotating

Tank Cleaning Nozzles



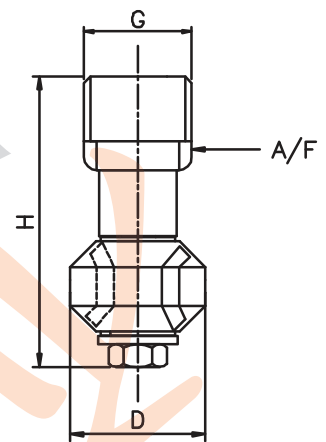
Feature

This nozzles are designed for cleaning process in small bore or small size of containers and available in all grade of stainless steel material and also available in non metallic like PTFE (TEFLON) and as well as with several spray angles

Application

- Tank Washing (Max \varnothing 1.5m)
- Pipe Cleaning
- Kegs
- Small Container
- Operating pressure 2 bar

Dimension



Spray Angle

Coverage Type	A	B	C	D	E
Spray Angle	180°	180°	270°	270°	360°

Model	Spray Code	Angle Code	Thread Size	Spray Capacity (L/min) At Pressure (Bar)							
				1.5	2	3	5	7	H	D	A/F
TC-REA	2.100	A/B/C/D/E	1/4"	8.66	10.00	12.25	15.81	18.71	45	16	12.8
	2.120	A/B/C/D/E	1/4", 3/8"	10.39	12.00	14.70	18.97	22.45	45	22.2	12.8
	2.150	A/B/C/D/E	3/8"	12.99	15.00	18.37	23.72	28.06	Weight (Metals) = 30.0 gms. Approx		
	2.180	A/B/C/D/E	3/8"	15.59	18.00	22.05	28.46	33.67			
	2.220	A/B/C/D/E	3/8", 1/2"	19.05	22.00	26.94	34.79	41.16	79	30	22
	2.300	A/B/C/D/E	1/2"	25.98	30.00	36.74	47.43	56.12			

How to order (Example)

TC-REA

Model

2.100

Spray Code

E

Angle Code

1/4"

Thread Size

S304

Material

Material Available :
Stainless Steel : S304, S316
Plastic : Nylon (Polymide),
Teflon(PTFE)