

Non Clogging Spray Nozzles

Hollow Cone Spray Nozzles



Features

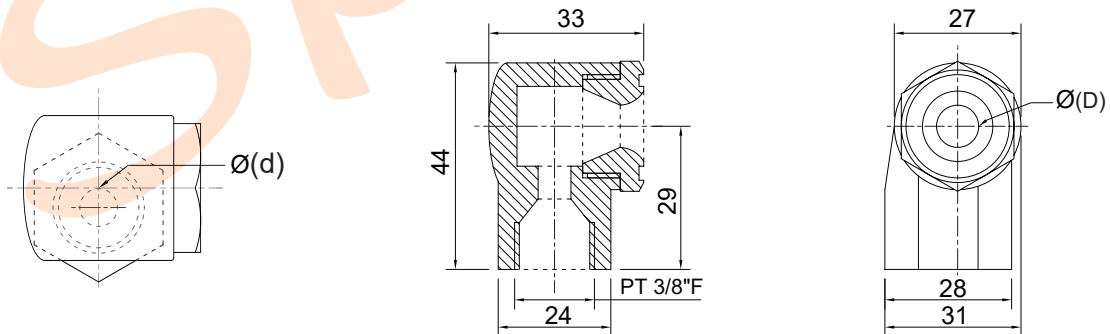
- A Hollow cone spray pattern with larger flow rates and smaller droplet sizes
- Durable, two-piece body, anti-clog design has no internal vane to clog or wear out. Fine atomization spray

Application

- Gas Cooling
- Wet Scrubber
- Chemical process
- Dust Suppression
- Pre-painting treatment

Size & Material

- Size : 3/8" Female PT
- Material : Moplen EP 400L Polypropylene Impact Copolymer Resin
- Max. operating temperature : 90°C



Model	Orifice Ø(D)	Spray angle			Pressure (bar) Spray Capacity (l/min)										Mean Drop. Dia. (µm)	
		0.5	2.0	5.0	0.5	1.0	1.5	2.0	2.5	3.0	3.5	4.0	4.5	5.0		
NKF	NKF-6 MM	6	91°	100°	100°	3.5	4.9	6.1	7.0	7.8	8.6	9.3	9.9	10.5	11.1	400-580
	NKF-7 PP	7	84°	89°	93°	7.8	11.0	13.4	15.5	17.3	19.0	20.5	21.9	23.3	24.5	
	NKF-8 QQ	8	78°	84°	90°	11.0	15.6	19.1	22.0	24.6	26.9	29.1	31.1	33.0	34.8	