

Non Clogging Spray Nozzles

Full Cone Spray Nozzles



Features

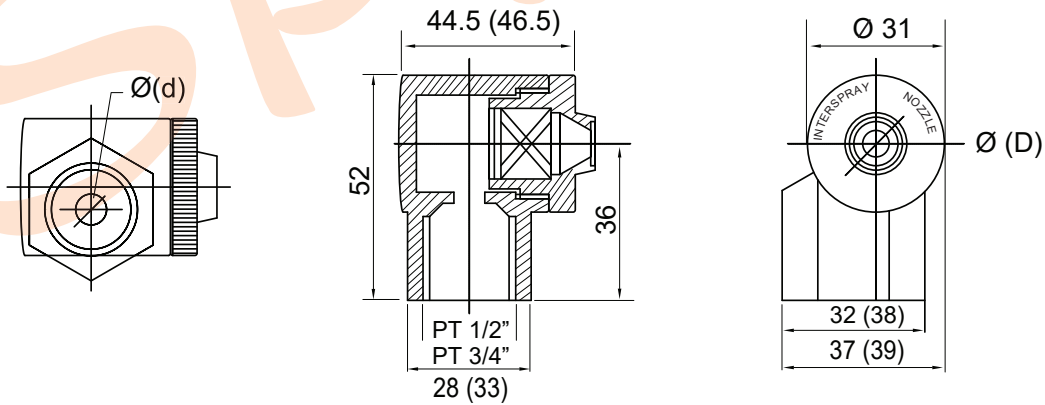
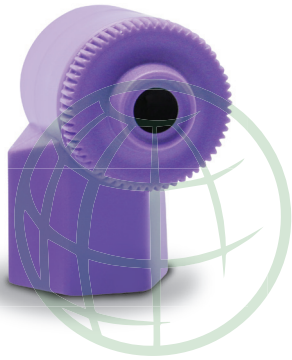
A Full cone spray pattern with larger flow rates and smaller droplet sizes. Durable, two-piece body, anti-clog design has no internal vane to clog or wear out. Fine atomization spray

Application

- Gas Cooling
- Wet Scrubber
- Chemical process
- Dust Suppression
- Pre-painting treatment

Size & Material

- Thread : 1/2, 3/4" Female PT
- Material : Moplen EP 400L Polypropylene Impact Copolymer Resin
- Max. operating temperature : 90°C



Model	Orifice Ø(D)	Spray angle			Pressure (bar) Spray Capacity (l/min)										Mean Drop. Dia. (µm)	
		0.5	2.0	5.0	0.5	1.0	1.5	2.0	2.5	3.0	3.5	4.0	4.5	5.0		
CBD	CBD-8RR	8	79°	86°	89°	12.1	17.1	21.0	24.2	27.1	29.6	32.0	34.2	36.3	38.3	530~700
	CBD-8TT	8	84°	95°	92°	14.4	20.3	24.9	28.7	32.1	35.2	38.0	40.6	43.1	45.4	