

### หัวฉีดแบบทั่วไป

### full cone spray nozzle



#### Features

- Wide-angle full cone spray pattern with a round impact area and uniform distribution.
- Spray angle of 120° provides larger spray coverage than other nozzles.
- Spray capacity ranges from small to medium.
- X-shaped whirler provides large free passage diameter for minimal clogging.



#### Application

- Cleaning : Gas, incinerator fumes, machinery, eliminators, screen, tanks, parts, crushed stones, earth and sand.
- Cooling : Gas, machineries, tanks, steels.
- Spraying : Waste water treatment, aeration, fire extinguishing, dust suppression, sea water desalination

#### Material

- Size 1/8M - 3/8M (3/8F) : S303
- Size 1/2F - 1F : S303 or B (Brass)
- Size 1.1/2F or larger : S316
- Optional material : S316L others

#### Structure

- One-piece structure with press-fit X-shaped whirler.

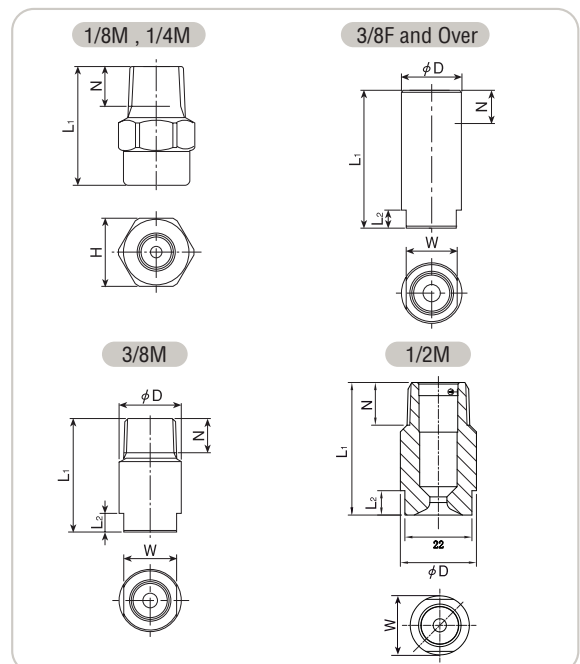
#### Standard Pressure

- 0.2 bar for spray capacity codes of 015-060.
- 0.35 bar for spray capacity codes of 10 and over

#### Shapes & Dimensions

Pipe conn. size	Dimensions (mm)						Mass (g)	
	L <sub>1</sub>	L <sub>2</sub>	H	W	ØD	N	S303 S316	B
1/8M	21	-	12	-	-	7	11	-
1/4M (015,020)	21	-	14	-	-	10.5	20	-
1/4M (030)	21.5	-	14	-	-	10.5	20	-
1/4M (040-060)	29	-	14	-	-	10.5	21	-
3/8M	36.5	6	-	17	20	11	55	-
3/8F	45.5	6	-	17	20	11	75	-
1/2M	43.5	8	-	22	25	14	115	-
1/2F	56	8	-	22	25	14	140	150
3/4F	73	10	-	27	32	15	300	320
1F	94	14	-	34	40	17	585	625
1.1/2F	131	20	-	50	58	19	1,760	-
2F	168	24	-	60	70	23	2,980	-
2.1/2F	199	27	-	80	90	27	5,890	-
3F	220	30	-	90	105	30	9,400	-
4F	278	40	-	115	130	36	16,100	-

\*1) Figures in ( ) after the pipe connection sizes indicate the spray capacity codes



①Body ②Whirler

[Note] Appearance and dimensions may differ slightly depending on materials and nozzle codes.

หัวฉีดแบบทั่วไป

full cone spray nozzle

### Specifications

Model	Spray Code	Pipe Conn. Size		Free Pass. Dia. (mm)	Spray Angle (°)			Spray Capacity (l/min)									Mean Drop. Dia. (µm)
		1/8M	1/4M		0.5 bar	2 bar	5 bar	0.3 bar	0.5 bar	1 bar	1.5 bar	2 bar	3.5 bar	5 bar	7 bar	10 bar	
CBX series	015	/	/	0.7	-	120	112	-	-	1.09	1.32	1.50	1.88	2.18	2.50	2.89	300
	020	/	/	0.9	110	120	112	-	1.06	1.46	1.75	2.00	2.51	2.91	3.34	3.86	?
	030	/	/	0.9	112	120	113	-	1.59	2.18	2.63	3.00	3.77	4.36	5.00	5.79	340
	040	/	/	1.4	110	120	112	-	2.12	2.91	3.51	4.00	5.03	5.81	6.67	7.72	350
	050	/	/	1.7	112	120	113	-	2.65	3.64	4.38	5.00	6.28	7.27	8.34	9.64	?
	060	/	/	1.7	114	120	114	2.51	3.18	4.37	5.26	6.00	7.54	8.72	10.0	11.6	430

Model	Spray Code	Pipe Connection Size						Free Pass. Dia. (mm)	Spray Angle (°)			Spray Capacity (l/min)									Mean Drop. Dia. (µm)
		3/8M	3/8F	1/2M	1/2F	3/4F	1F		1.5 bar	3.5 bar	7 bar	0.3 bar	0.5 bar	1 bar	1.5 bar	2 bar	3.5 bar	5 bar	7 bar	10 bar	
CBX Series	10	/	/					2.0	123	120	111	3.34	4.21	5.79	6.98	7.96	10.0	11.6	13.3	15.3	340
	12	/	/					2.0	124	120	112	4.00	5.06	6.95	8.37	9.55	12.0	13.9	15.9	18.4	?
	14	/	/					2.4	124	120	112	4.67	5.90	8.10	9.77	11.1	14.0	16.2	18.6	21.5	?
	16	/	/					2.6	125	120	113	5.33	6.74	9.25	11.2	12.7	16.0	18.5	21.2	24.6	?
	18	/	/	/	/			2.8	123	120	111	6.00	7.58	10.4	12.6	14.3	18.0	20.8	23.9	27.6	420
	20	/	/	/	/			2.8	123	120	111	6.67	8.43	11.6	14.0	15.9	20.0	23.1	26.5	30.7	?
	23	/	/	/	/			2.8	124	120	112	7.67	9.69	13.3	16.0	18.3	23.0	26.6	30.5	35.3	?
	26	/	/	/	/			2.8	124	120	112	8.67	11.0	15.1	18.1	20.7	26.0	30.1	34.5	39.9	480
	30	/	/	/	/	/		3.8	123	120	111	10.0	12.6	17.4	20.9	23.9	30.0	34.7	39.8	46.0	?
	40	/	/	/	/	/		4.8	124	120	112	13.3	16.9	23.2	27.9	31.8	40.0	46.3	53.1	61.4	?
	50	/	/	/	/	/		4.8	125	120	113	16.7	21.0	29.0	34.9	39.8	50.0	57.8	66.3	76.7	580
	60	/	/	/	/	/		5.4	124	120	112	20.0	25.3	34.7	41.9	47.7	60.0	69.4	79.6	92.1	630
80	/	/	/	/	/		6.0	125	120	113	26.7	33.7	46.3	55.8	63.7	80.0	92.5	106	123	?	

#### How to order

Please order for a specific nozzle on this coding system

(Example)

**3/8M**

Pipe Size

**CBX**

Model

**015**

Spray Code

**S303**

Material

\*Material Available:  
Stainless Steel: S303,  
S316, S316L  
Brass